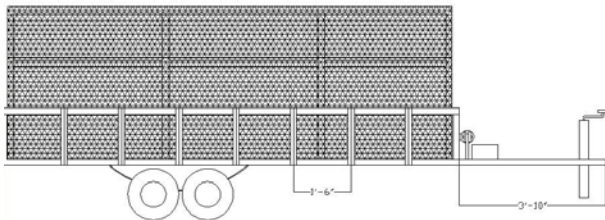
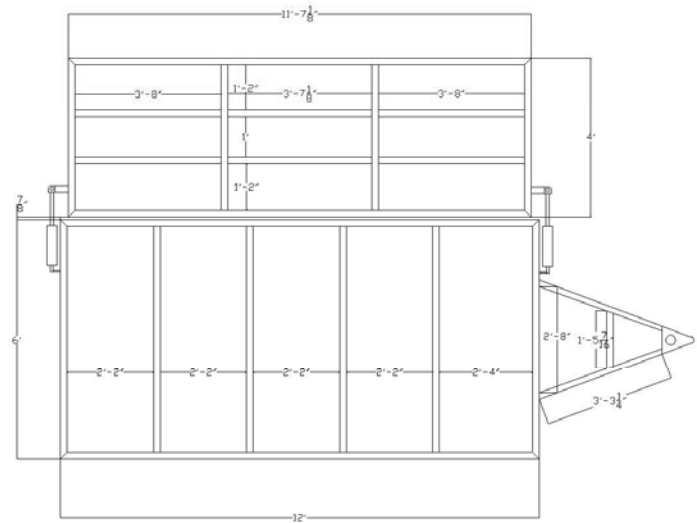


Manufacturing Materials

- Steel Frame Construction for strength and Durability.
- Wood Floor for appearance and cost effectiveness.
- Wire Mesh loading ramp for traction and reduced weight.



Side Loading

- Full Length loading ramp for drive on loading.
- Allows for a more compact trailer design.
- Allows for removal of each ATV without the interference of other ATV's

Hydraulically Operated Loading Ramp

- Allows for effortless operation by a single person.
- A person of any size or age can operate the loading ramp.
- Operated by a 12 Volt Hydraulic Power Unit.

